



SJE PumpMaster® and SJE PumpMaster® Plus Quick Fit Pump Switches Installation Instructions

SJE-Rhombus® wide angle pump switches are designed to provide automatic control of pumps in water and sewage applications.

SJE PUMPMASTER® QUICK FIT



Mechanically activated pump switch for direct control of pumps in:

- Sewage
- Water

U.S. Patent Nos. 5,087,801 & 5,142,108

tether length	3.5	6	10	14	18	22	24
	min.						
pumping range	7	10	16	22	28	33	36

SJE PUMPMASTER® PLUS QUICK FIT



Mechanically activated pump switch for direct control of pumps in:

- Sewage
- Water

U.S. Patent Nos. 5,087,801 & 5,142,108

tether length	3.5	6	10	14	18	22	24
	min.						
pumping range	7	10	16	22	28	33	36

FEATURES

- The float and piggyback plug are separate to allow for quick fit installation by routing the float cord through conduit and heat shrink, then attaching the piggyback plug by inserting the quick connect terminals and applying the protective heat shrink.

PREVENTATIVE MAINTENANCE

- Periodically inspect the product. Check that the cable has not become worn or that the housing has not been damaged so as to impair the protection of the product. Replace the product immediately if any damage is found or suspected.
- Periodically check to see that the float is free to move and operate the switch.
- Use only SJE-Rhombus® replacement parts.

SJE-RHOMBUS® FIVE-YEAR LIMITED WARRANTY

SJE-RHOMBUS® warrants to the original consumer that this product shall be free of manufacturing defects for five years after the date of consumer purchase. During that time period and subject to the conditions set forth below, SJE-RHOMBUS® will repair or replace, for the original consumer, any component which proves to be defective due to defective materials or workmanship of SJE-RHOMBUS®.

Some states do not allow limitations on how long an implied warranty lasts, so the above limitation may not apply to you. Some states do not allow the exclusion or limitation of incidental or consequential damages, so the above limitation or exclusion may not apply to you. This warranty gives you specific legal rights, and you may also have other rights which vary from state to state.

ELECTRICAL WIRING AND SERVICING OF THIS PRODUCT MUST BE PERFORMED BY A LICENSED ELECTRICIAN.

TO OBTAIN WARRANTY SERVICE: The consumer shall assume all responsibility and expense for removal, reinstallation, and freight. Any item to be repaired or replaced under this warranty must be returned to SJE-RHOMBUS®, or such place as designated by SJE-RHOMBUS®.

THIS WARRANTY DOES NOT APPLY: (A) to damage due to lightning or conditions beyond the control of SJE-RHOMBUS®; (B) to defects or malfunctions resulting from failure to properly install, operate or maintain the unit in accordance with printed instructions provided; (C) to failures resulting from abuse, misuse, accident, or negligence; (D) to units which are not installed in accordance with applicable local codes, ordinances, or accepted trade practices, and (E) to units repaired and/or modified without prior authorization from SJE-RHOMBUS®.

ANY IMPLIED WARRANTIES OF MERCHANTABILITY OR FITNESS ARE LIMITED TO THE DURATION OF THIS WRITTEN WARRANTY. SJE-RHOMBUS® SHALL NOT, IN ANY MANNER, BE LIABLE FOR ANY INCIDENTAL OR CONSEQUENTIAL DAMAGES AS A RESULT OF A BREACH OF THIS WRITTEN WARRANTY OR ANY IMPLIED WARRANTY.

NOTICE!

Products returned must be cleaned, sanitized, or decontaminated as necessary prior to shipment to ensure that employees will not be exposed to health hazards in handling said material. All applicable laws and regulations shall apply.

⚠ WARNING**ELECTRICAL SHOCK HAZARD**

Disconnect power before installing or servicing this product. A qualified service person must install and service this product according to applicable electrical and plumbing codes.

⚠ WARNING**EXPLOSION OR FIRE HAZARD**

Do not use this product with flammable liquids. Do not install in hazardous locations as defined by National Electrical Code, ANSI/NFPA 70.

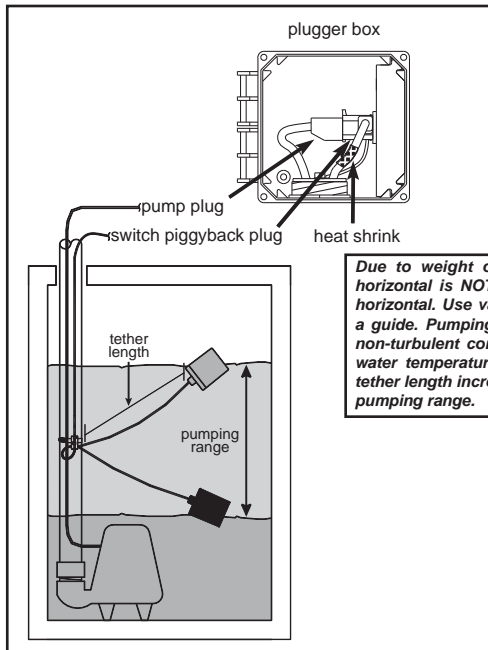
Failure to follow these precautions could result in serious injury or death. Replace product immediately if switch cable becomes damaged or severed. Keep these instructions with warranty after installation. This product must be installed in accordance with National Electric Code, ANSI/NFPA 70 so as to prevent moisture from entering or accumulating within boxes, conduit bodies, fittings, float housing, or cable.

For detailed specifications on this product, or for the complete line of SJE-Rhombus® panel, alarm, and switch products, visit our web-site at www.sjrhombus.com.

MOUNTING THE SWITCH

1. Determine the required cord tether length according to product specifications on the front page and as shown in Figure A.
2. Place the cord into the clamp as shown in Figure B.
3. Locate clamp at desired activation level and secure the clamp to the discharge pipe as shown in Figure B. **Note:** Do not install cord under hose clamp.
4. Tighten the hose clamp using screwdriver. Over tightening may result in damage to the plastic clamp. Make sure the float cable is not allowed to touch the excess hose clamp band during operation.

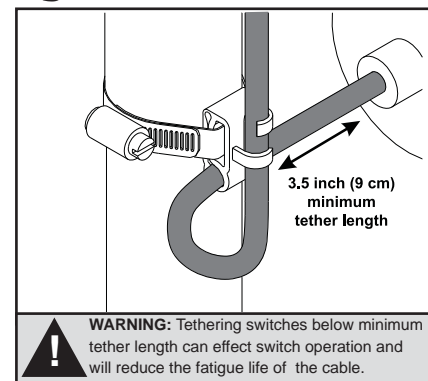
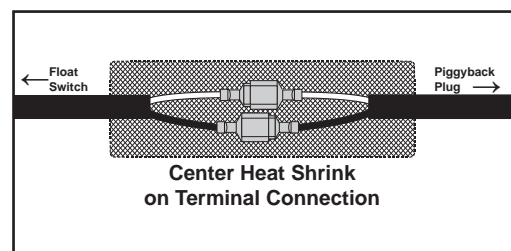
Note: All hose clamp components are made of 18-8 stainless steel material. See your SJE-Rhombus® supplier for replacements.

Figure A**PIGGY-BACK PLUG INSTALL**

- Electrical outlet must be located in an enclosure providing strain relief such as a plunger box.
 - Electrical outlet voltage, piggy-back plug voltage, and pump voltage must match.
1. Follow steps 1 through 4 of "Mounting The Switch."
 2. Route the float cable into a plunger box.
 3. Slide heat shrink onto the float cable and connect piggy-back plug by fully inserting the quick connect terminals.
 4. Move the heat shrink so that it is centered over the splice connection as shown in Figure C.

Warning - Not installing heat shrink as defined in steps 4-5 introduces safety hazards and may result in serious injury, electric shock, or death.

5. Using a heat gun or torch, gradually apply heat to the heat shrink until it shrinks and fits snugly to the cable outer jacket, and quick connect terminals. The heat shrink is lined with adhesive. When properly installed, there should be a small amount of adhesive squeezed out at each end. **CAUTION** - Take care not to burn the heat shrink or cable jacket during this process.
6. Insert the piggy-back plug into the outlet.
7. Plug the pump into the piggy-back plug as shown in figure A.
8. Check the installation. Allow system to cycle to insure proper installation.

Figure B**Figure C**

SJE-Rhombus®

22650 County Highway 6 ■ P.O. Box 1708 ■ Detroit Lakes, Minnesota 56502 USA

1-888-DIAL-SJE (1-888-342-5753) ■ Phone: 218-847-1317 ■ Fax: 218-847-4617 ■ E-mail: customer.service@sjrhombus.com

Instl. Instr. PN 1036770E
©SJE-Rhombus 05/15