

Installer Friendly Series® Drip Panels

Are you ready for an **easy-to-use, reliable** control panel to use with your subsurface drip irrigation system? **SJE-Rhombus Controls** introduces the innovative **Installer Friendly Series® Drip** irrigation control panel.

The **IFS Drip** irrigation panel controls one single phase pump (120V or 230V) and two valves (flush and spin valves). At a glance, you can monitor system cycles, float status, pump run status, and more. Programming has never been easier with the **simple-to-use touch pad display** on the inner door. With a touch, you can easily program system functions, including:

- Rest for standard time
- Rest for peak enable time
- Spin filter flush time
- Dose time
- Field flush time
- Field drain time

TOUCH PAD DISPLAY FEATURES:

LED indicator lights for:

- Pump run
- Rest time
- Float status, including float out-of-sequence alarm
- Cycles: dose, flush, drain
- Separate control and alarm fuses with power indicators; replacement indicator for alarm fuse
- HAND/OFF/AUTO pump control
- Count
- Program
- Flush valve
- Spin valve
- Advance and pause buttons allow user to cycle through system functions for testing

Digital display features:

- High water alarm count
- Float status sequence error count
- Low level cutout float open low alarm count
- Standard dose count
- Power-fail count
- Pump on/off cycle count
- Pump run time
- Peak dose count



See reverse side for IFS Drip installation diagram, part number and pricing!

IFS DRIP PANEL FEATURES:

- Innovative circuit board design creates additional space inside for wiring panel
- Inner door for **added safety**
- Controls **24 VAC or 120 VAC** solenoid valves (spin, flush)
- Alarm beacon and horn (85 decibel rating) provides visual and audio warning of alarm condition
- Test/Normal/Silence switch
- Large, **easy-to-use** terminal blocks
- Input display code and counter display code labels on inside cover for viewing/programming digital display
- Pump circuit breaker for branch circuit protection and pump disconnect
- **NEMA 4X** weatherproof enclosure for indoor/outdoor use
- Float/pump wiring diagram mounted to backplate
- Includes four float switches
- UL/cUL Listed
- Three-year limited warranty

SJE-Rhombus

1-888-DIAL-SJE (1-888-342-5753) ■ www.sjerrhombus.com

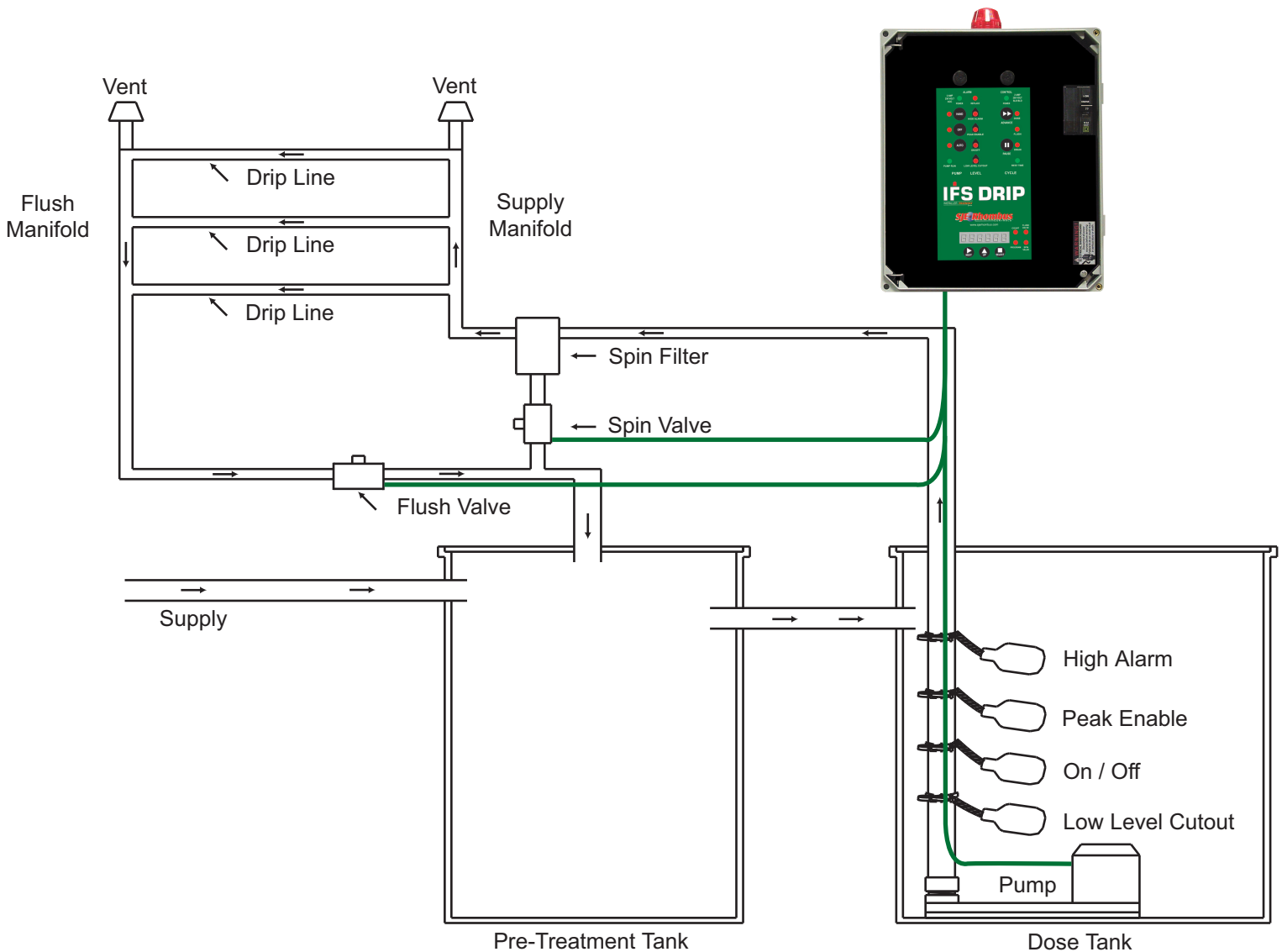


Installer Friendly Series® Drip Panels


IFS Drip Control Panel Operation:

Four (4) float switches (low level, timer on/off, peak enable, and high alarm floats) control the operation. Timers internal to the PCB control the pump dosing cycles. When the liquid level activates the timer on float, the following operations occur:

1. Rest time
2. The pump turns on and the spin filter valve opens for the user-programmed length of time.
3. The spin filter valve closes and the pump continues to run for the user-programmed dose time.
4. The pump continues to run and the flush valve opens for the user-programmed length of time.
5. The pump turns off and the flush valve remains open for the user-programmed drain time.
6. The flush valve closes for the user-programmed off time.



SJE-Rhombus

1-888-DIAL-SJE (1-888-342-5753)  www.sjerrhombus.com

©SJE-Rhombus 07/11